

iDS-7200HUHI-K1/4S SERIES TURBO ACUSENSE

Features and Functions



VCA Detection

- Deep learning-based analysis: re-recognition of the human body or vehicle target in behavior detection to filter false alarm, supports 4-ch detection

Video Input and Transmission

- Self-adaptive HDTV/HD/SDI/HD/SDI/HD/SDI signal input
- When enhanced IP mode enabled, up to 8-ch 8 MP IP cameras input for iDS-7204HUHI-K1/4S; 16-ch 8 MP IP cameras input for iDS-7208HUHI-K1/4S
- 8 MP/5 MP/4 MP HDTV video input and live view for iDS-7208HUHI-K1/4S, and 5 MP/4 MP for iDS-7204HUHI-K1/4S
- Defogging function enabled for the supported analog cameras
- Long distance transmission over UTP and coaxial cable: max. 800m for 1080p and 1200m for 720p HDTV signal

Compression and Recording

- H.265 Pro+/H.265 Pro/H.265/H.264+/H.264 encoding for the main stream, and H.265/H.264 for the sub-stream of analog cameras
- Connectable to H.265+/H.265/H.264+/H.264 IP cameras
- H.265 Pro+/H.265 Pro can be enabled to improve encoding efficiency and reduce data storage costs
- Full channel recording at up to 5 MP resolution for iDS-7204HUHI-K1/4S and 8 MP for iDS-7208HUHI-K1/4S

Video Output

- Simultaneous HDMI/VGA output
- HDMI output at up to 4K (3840 × 2160) resolution for iDS-7208HUHI-K1/4S
- Separate CVBS output

Storage and Playback

- 1 SATA interface (up to 10 TB capacity per HDD)
- 4/8-ch synchronous playback
- Smart search for efficient playback
- Supports the 3rd party cloud storage (Dropbox/Google Drive/Microsoft OneDrive)

Smart Function

- Supports multiple VCA (Video Content Analytics) events for both analog and smart IP cameras
- Supports 2-ch sudden scene change detection
- VCA information overlay in live view and smart playback

Network & Ethernet Access

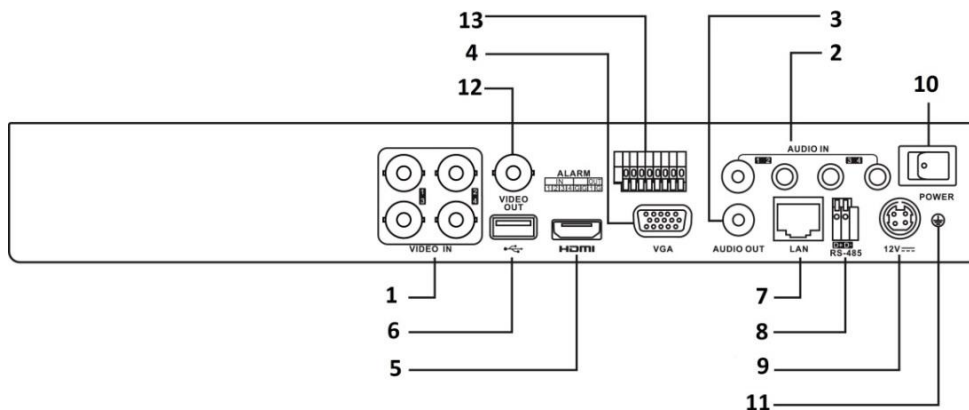
- Hik-Connect & DDNS (Dynamic Domain Name System) for easy network management
- 1 RJ45 10M/100M self-adaptive Ethernet interface for iDS-7204HUHI-K1/4S, and 1 RJ45 10M/100M/1000M self-adaptive Ethernet interface for iDS-7208HUHI-K1/4S
- Output bandwidth limit configurable: up to 96M for iDS-7204HUHI-K1/4S and 128M for iDS-7208HUHI-K1/4S



Specifications

Model	iDS-7204HUHI-K1/4S		iDS-7208HUHI-K1/4S		
Video/Audio input	Video compression	H.265 Pro+/H.265 Pro/H.265/H.264+/H.264			
	Analog video input	4-ch	8-ch		
		BNC interface (1.0 Vp-p, 75 Ω), supporting coaxitron connection			
	HDTVl input	5 MP, 4 MP, 3 MP, 1080p30, 1080p25, 720p60, 720p50, 720p30, 720p25	8 MP, 5 MP, 4 MP, 3 MP, 1080p30, 1080p25, 720p60, 720p50, 720p30, 720p25		
	AHD input	5 MP, 4 MP, 1080p25, 1080p30, 720p25, 720p30			
	HDCVI input	4 MP, 1080p25, 1080p30, 720p25, 720p30			
	CVBS input	PAL/NTSC			
	IP video input	Up to 8-ch		Up to 16-ch	
		Up to 8 MP resolution			
		Supports H.265+/H.265/H.264+/H.264 IP cameras			
Audio compression	G.711u				
Audio input	4-ch, RCA (2.0 Vp-p, 1 KΩ)				
Video/Audio output	CVBS output	1-ch, BNC (1.0 Vp-p, 75 Ω), resolution: PAL: 704 × 576, NTSC: 704 × 480			
	HDMI/VGA output	1-ch, 1920 × 1080/60Hz, 1280 × 1024/60Hz, 1280 × 720/60Hz, 1024 × 768/60Hz	VGA: 1-ch, 1920 × 1080/60Hz, 1280 × 1024/60Hz, 1280 × 720/60Hz, 1024 × 768/60Hz HDMI: 1-ch, 4K (3840 × 2160)/30Hz, 2K (2560 × 1440)/60Hz, 1920 × 1080/60Hz, 1280 × 1024/60Hz, 1280 × 720/60Hz, 1024 × 768/60Hz		
	Encoding resolution@ Frame rate	Main stream: 5 MP@12fps/4 MP@15fps/3 MP@18fps 1080p/720p/WD1/4CIF/VGA/CIF@25fps (P)/30fps (N) Sub-stream: WD1/4CIF/CIF@25fps (P)/30fps (N)	Main stream: 8 MP@8fps/5 MP@12fps/4 MP@15fps/3 MP@18fps 1080p/720p/WD1/4CIF/VGA/CIF@25fps (P)/30fps (N)		
	Video bit rate	32 Kbps to 10 Mbps			
	Audio output	1-ch, RCA (Linear, 1 KΩ)			
	Audio bit rate	64 Kbps			
	Dual stream	Support			
	Stream type	Video, Video & Audio			
	Synchronous playback	4-ch	8-ch		
	Network management	Remote connections	32	64	
Network protocols		TCP/IP, PPPoE, DHCP, Hik-Connect, DNS, DDNS, NTP, SADP, NFS, iSCSI, UPnP™, HTTPS, ONVIF			
Hard disk	SATA	1 SATA interface			
	Capacity	Up to 10 TB capacity for each disk			
External interface	Two-way audio input	1-ch, RCA (2.0 Vp-p, 1 KΩ) (using the 1 st audio input)			
	Network interface	1, RJ45 10M/100M self-adaptive Ethernet interface	1, RJ45 10M/100M/1000M self-adaptive Ethernet interface		
	USB interface	2 × USB 2.0			
	Serial interface	RS-485 (half-duplex)			
	Alarm in/out	4/1	8/4		
General	Power supply	12 VDC			
	Consumption (without HDD)	≤ 10 W	≤ 20 W		
	Working temperature	-10 °C to +55 °C (+14 °F to +131 °F)			
	Working humidity	10% to 90%			
	Dimensions (W × D × H)	315 × 242 × 45 mm (12.4 × 9.5 × 1.8 inch)			
Weight (without HDD)	≤ 1.16 kg (2.6 lb)	≤ 2 kg (4.4 lb)			

Physical Interfaces



NOTE

The rear panel of iDS-7208HUHI-K1/4S provides 8 video input interfaces.

Index	Description	Index	Description
1	VIDEO IN	8	RS-485 Serial Interface
2	AUDIO IN, RCA Connector	9	12 VDC Power Input
3	AUDIO OUT, RCA Connector	10	Power Switch
4	VGA Interface	11	GND
5	HDMI Interface	12	VIDEO OUT
6	USB Interface	13	Alarm In/Out
7	LAN Network Interface		

Available Models

iDS-7204HUHI-K1/4S, iDS-7208HUHI-K1/4S

Distributed by



HIKVISION®

Headquarters

No.555 Qianmo Road, Binjiang District,
Hangzhou 310051, China
T +86-571-8807-5998
overseasbusiness@hikvision.com

Hikvision USA
T +1-909-895-0400
sales.usa@hikvision.com

Hikvision Italy
T +39-0438-6902
info.it@hikvision.com

Hikvision Singapore
T +65-6684-4718
sg@hikvision.com

Hikvision Africa
T +27 (0) 0351172
sale.africa@hikvision.com

Hikvision Europe
T +31-23-55-42-770
info.eu@hikvision.com

Hikvision France
T +33(0)1-85-330-450
info.fr@hikvision.com

Hikvision Oceania
T +61-2-8599-4233
salesau@hikvision.com

Hikvision Hong Kong
T +852-2151-1761

Hikvision Middle East
T +971-4-8816086
salesme@hikvision.com

Hikvision Spain
T +34-91-737-16-55
info.es@hikvision.com

Hikvision Canada
T +1-909-895-0400
sales.usa@hikvision.com

Hikvision Russia
T +7-495-669-67-99
saleru@hikvision.com

Hikvision Poland
T +48-22-460-01-50
poland@hikvision.com

Hikvision Korea
T +82-31-731-8841
sales.korea@hikvision.com

Hikvision India
T +91-22-28469900
sales@pramahikvision.com

Hikvision UK
T +01628-902140
support.uk@hikvision.com

Hikvision Brazil
T +55 11 3318-0050
Latam.support@hikvision.com