

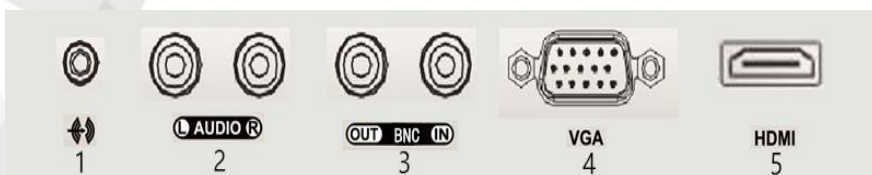
DS-D5024FC 23.6" Monitor



Key Features

- LED backlit technology with full HD 1920×1080@60Hz
- Wide view angle : 170° (H)/160° (V)
- Image processing: 3D comb filter, 3D De-interlace, 3D noise reduction
- Multiply interface: HDMI, VGA, BNC input, BNC output, audio in
- Support analog signal input
- Build-in speaker
- High reliability and stability, 24/7 operation
- VESA stand bracket
- Green energy: Enter standby mode while no signal input

Interfaces



| NO. | Description |
|-----|---------------------------------|
| 1 | 3.5mm headphone interface |
| 2 | AUDIO |
| 3 | BNC in and out |
| 4 | VGA : VGA Analog Signal Input |
| 5 | HDMI: HDMI Digital Signal Input |

Model

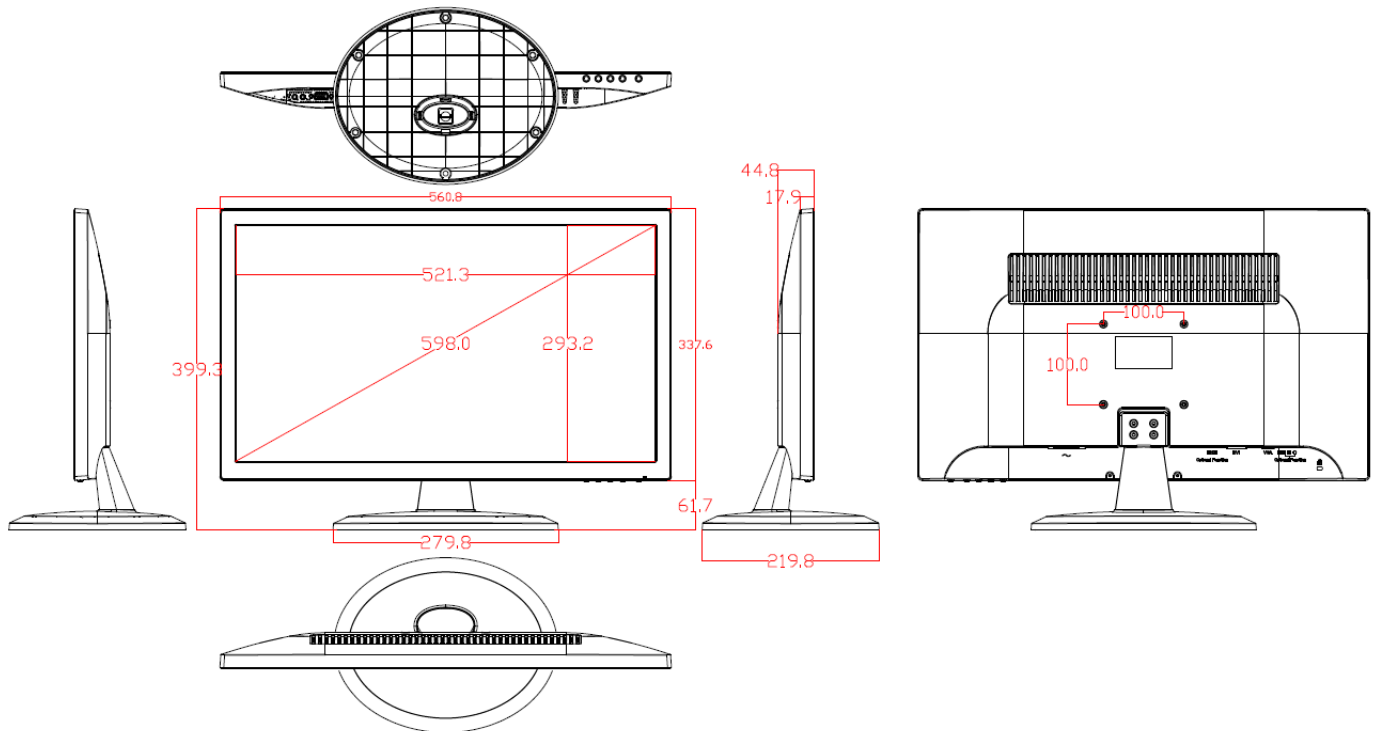
DS-D5024FC



Specifications

| | | |
|----------------------------------|----------------------------------------------------------------------|-------------------------------|
| Model | DS-D5024FC | |
| Backlight | LED Backlight | |
| Screen Size | 23.6 inch | |
| Pixel Pitch | 0.2715 mm (H) × 0.2715 mm (V) | |
| Max Resolution | 1920×1080@60Hz | |
| Brightness | 250 cd/m ² | |
| Contrast | 1000: 1 | |
| Response Time | 5 ms | |
| Color | 16.7M | |
| Active Area (H×V) | 525.22mm(H) × 297.22mm (V) | |
| Viewing Angle | Horizontal 170°, vertical 160° | |
| Interfaces | HDMI input | 1 |
| | VGA input | 1 |
| | BNC(in/out) | In×1, Out×1 |
| | Audio(L/R) | In×1, Out×1, 3.5 mm mini-jack |
| | Headphone | 1 |
| Power Supply | AC 100~240V | |
| Power Consumption | ≤30W | |
| Standby Power Consumption | ≤ 0.5 W | |
| Loudspeaker | 2*2W | |
| Working Temperature | 0 to 40 ° C (32 to 104 ° F) | |
| Working Humidity | 10 to 85 % | |
| Storage Temperature | -20 to 55 ° C (-4 to 131 ° F) | |
| Storage Humidity | 5 to 95% | |
| Color of Casing | Black | |
| VESA | M4, 100 mm × 100 mm | |
| Dimensions(W*H*D) | 561mm ×338mm ×45mm / 561mm ×339mm ×218.5mm (with base) | |
| Package Dimension (W×H×D) | 614mm×465mm×109mm | |
| Gross Weight | 6Kg | |
| Net Weight | 5.1kg | |
| Accessories | VGA cable | 1 |
| | Power cord | 1 |
| | User manual | 1 |
| | Base bracket | 1 |
| | warranty card | 1 |
| Bracket | Base bracket | Contain 1 |
| | Wall mounted | Optional DS-DM1940W |
| *Note | All specifications mentioned above are subject to the actual product | |

Dimensions (unit: mm)



Distributed by



HIKVISION

Headquarters

No.555 Qianmo Road, Binjiang District,
Hangzhou 310051, China
T +86-571-8807-5998
overseasbusiness@hikvision.com

Hikvision USA
T +1-909-895-0400
sales.usa@hikvision.com

Hikvision Italy
T +39-0438-6902
info.it@hikvision.com

Hikvision Singapore
T +65-6684-4718
sg@hikvision.com

Hikvision Africa
T +27 (10) 0351172
sale.africa@hikvision.com

Hikvision Europe
T +31-23-55-42-770
info.eu@hikvision.com

Hikvision France
T +33(0)1-85-330-450
info.fr@hikvision.com

Hikvision Oceania
T +61-2-8599-4233
salesau@hikvision.com

Hikvision Hong Kong
T +852-2151-1761

Hikvision Middle East
T +971-4-8816086
salesme@hikvision.com

Hikvision Spain
T +34-91-737-16-55
info.es@hikvision.com

Hikvision Canada
T +1-909-895-0400
sales.usa@hikvision.com

Hikvision Russia
T +7-495-669-67-99
saleru@hikvision.com

Hikvision Poland
T +48-22-460-01-50
poland@hikvision.com

Hikvision Korea
T +82-31-731-8841
sales.korea@hikvision.com

Hikvision India
T +91-22-28469900
sales@pramahikvision.com

Hikvision UK
T +01628-902140
support.uk@hikvision.com

Hikvision Brazil
T +55 11 3318-0050
Latam.support@hikvision.com